

## NEEDLE VALVE



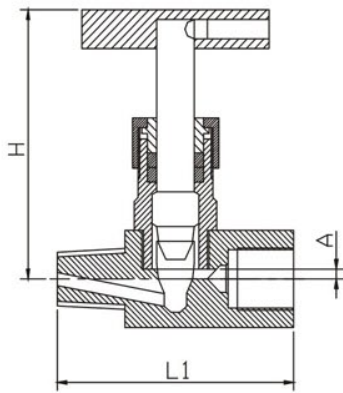
(1/4"-1")

### JV-9003ND (M+F)

<b>Description</b>	Angle Type, M/F Type, T-Handle Wheel, Non-Rising Stem, Adjustable Packing Nut, Screwed-In Bonnet
<b>Face</b>	BSPT, ISO-228, NPT Thread
<b>Material</b>	Stainless Steel, S/S316 Carbon Steel, GS-C25
<b>Pressure</b>	6000PSI (PN400) For Refinery, Water and Gas Industry
<b>Temp.</b>	-50° F to 450° F (-10° C to 230° C)

### DIMENSIONS (mm)

### MATERIAL LIST



Dim Size	DN	H	A	L1	NO	DESCRIPTION	MATERIAL	Q'TY
1/4"	DN8	75	3	60	1	Handle	S/S 410	1
3/8"	DN10	78	3	60	2	Stem	S/S 316	1
1/2"	DN15	87	4	70	3	Gland Nut	S/S304	1
3/4"	DN20	90	5	75	4	Stem Gland	S/S304	1
1"	DN25	103	7	85	5	Packing	PTFE	1 SET
					6	Cap	CF8M	1
					7	Body	CF8M	1

NEEDLE VALVE

09



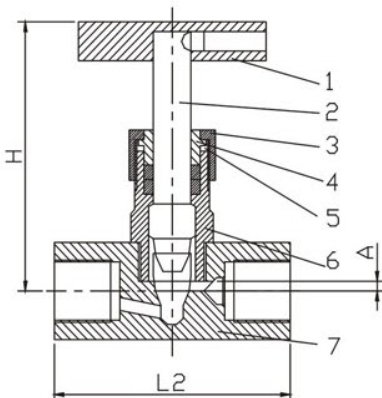
(1/8"-1")

### JV-9003ND (F/F)

<b>Description</b>	Angle Type, F/F Type T-Handle Wheel, Non-Rising Stem, Adjustable Packing Nut, Screwed-In Bonnet
<b>Face</b>	BSPT, ISO-228, NPT Thread
<b>Material</b>	Stainless Steel, S/S316 Carbon Steel, GS-C25
<b>Pressure</b>	6000PSI (Pn400) For Refinery, Water and Gas Industry
<b>Temp.</b>	-50° F to 450° F (-10° C to 230° C)

### DIMENSIONS (mm)

### MATERIAL LIST



Dim Size	DN	H	A	L2	NO	DESCRIPTION	MATERIAL	Q'TY
1/8"	DN6	75	3	58	1	Handle	S/S 410	1
1/4"	DN8	75	3	58	2	Stem	S/S 316	1
3/8"	DN10	78	3	58	3	Gland Nut	S/S304	1
1/2"	DN15	87	4	65	4	Stem Gland	S/S304	1
3/4"	DN20	90	5	70	5	Packing	PTFE	1 SET
1"	DN25	103	7	80	6	Cap	CF8M	1
					7	Body	CF8M	1