

PN16 WAFER TYPE BUTTERFLY VALVE

VBFW-CI-SSD

PINLESS

PINLESS DISC/STEM

SQUARE STEM

FLANGE STANDARD: ANSI 150/PN16

INSPECTION & TESTING: API 598

LINER: EPDM

DISC: STAINLESS STEEL ASTM A312 CF8M

BODY: CAST IRON

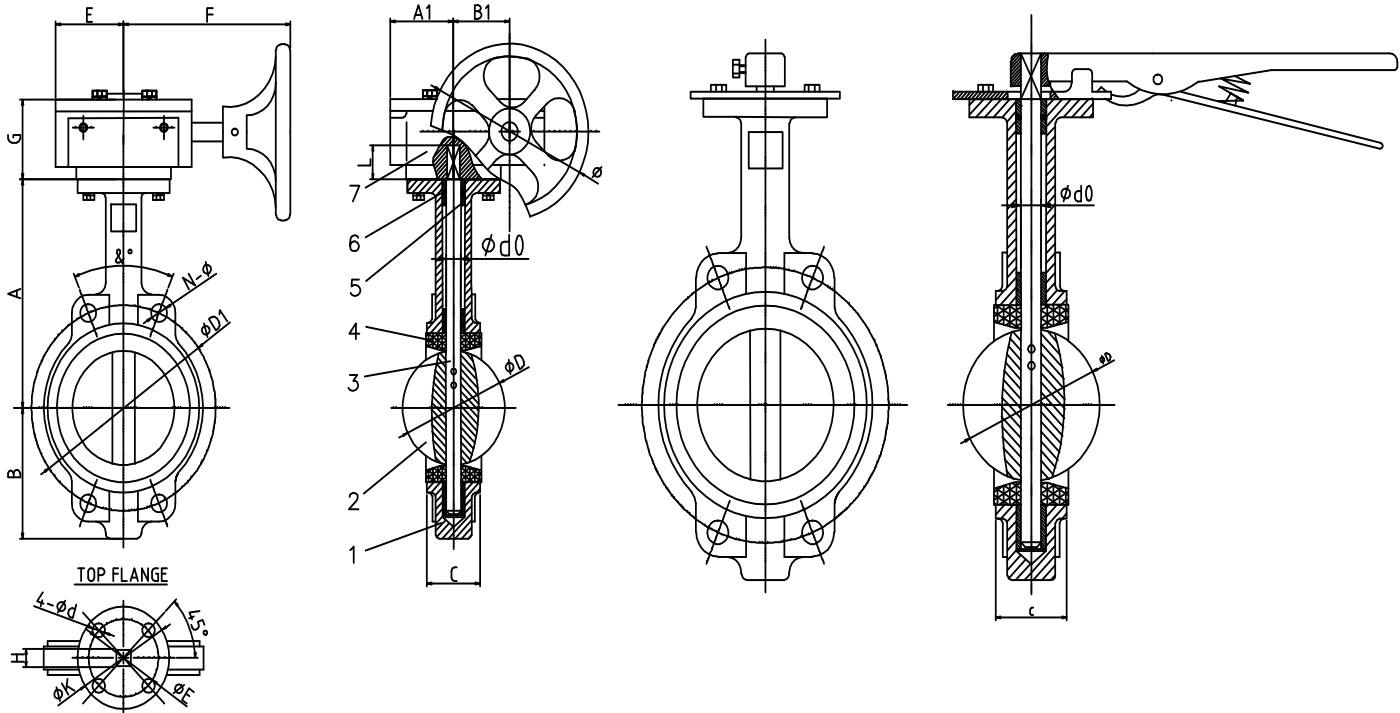
BODY COATING: 200 MICRONS EPOXY

STEM: SS 416

ACTUATION MOUNTING PAD: ISO5211



**ENERGY
VALVES**



Size	A	B	C	ØD	Ød0	L	ISO5211	SHAFT	Ød	G	E	F	A1	B1	ØD1	N-Ø	Torque (Nm)	KG (LEVER)	KG (GEAR)
2" DN50	161	80	42	52.9	12.6	30	F07	11 x 11	10	75	52	153	52	45	125	18	20	3.2	6.5
2.5" DN65	175	89	44.7	64.5	12.6	30	F07	11 x 11	10	75	52	153	52	45	145	18	25	4.1	7.2
3" DN80	181	95	45.2	78.8	12.6	30	F07	11 x 11	10	75	52	153	52	45	160	18	38	4.5	7.6
4" DN100	200	114	52	104	15.77	30	F07	11 x 11	10	75	52	153	52	45	180	18	66	5.8	8.9
5" DN125	213	127	54.4	123.3	18.92	30	F07	14 x 14	10	75	52	153	52	45	210	18	95	7.9	11
6" DN150	226	139	55.8	155.1	18.92	30	F07	14 x 14	10	75	52	153	52	45	240	22	148	8.7	11.8
8" DN200	260	175	60.6	202.5	22.1	40	F10	17 x 17	12	86	75	250	75	63	295	22	280	14.7	21.2
10" DN250	292	203	65.6	250.5	28.45	40	F10	22 x 22	12	86	75	250	75	63	355	26	380	20.7	27.2
12" DN300	337	242	76.9	301.6	31.6	40	F10	22 x 22	12	83	81	227	81	80	410	26	660	34	42
14" DN350	368	267	76.5	333.3	31.6	45	F10	22 x 22	12	83	81	227	81	80	470	26	780	-	20.8
16" DN400	400	309	86.5	389.6	33.15	52	F14	27 x 27	18	126	115	278	121	179	525	30	1110	-	99.4
18" DN450	422	328	102	440.5	37.95	52	F14	27 x 27	18	146	144	306	142	198	585	30	1355	-	117.4
20" DN500	480	361	127	491.6	41.12	65	F14	36 x 36	18	146	144	306	142	198	650	33	1807	-	166.4

Materials of construction

1. Body	Cast iron GG25 A126B
2. Disc	Stainless Steel ASTM A351 CF8M
3. Stem	Stainless steel 416
4. Seat	EPDM removable liner
5. Bushing	PTFE
6. O-Ring	EPDM

Energy Valves is a division of Energy Engineered Products (Pty) Ltd.

30 Monte Carlo Crescent, Kyalami Park, Midrand, South Africa

T: +27 11 4661926 / +27 87 9852426 email: sales@energyproducts.co.za

www.energyproducts.co.za/energy-valves