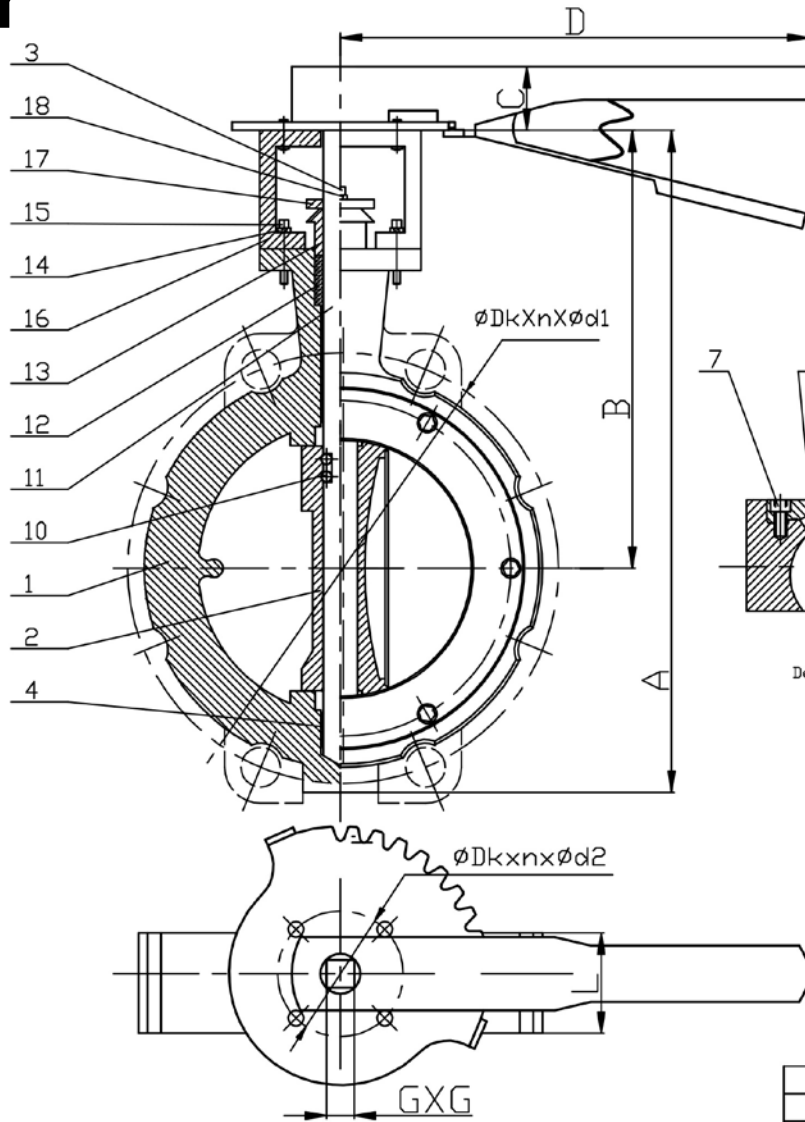


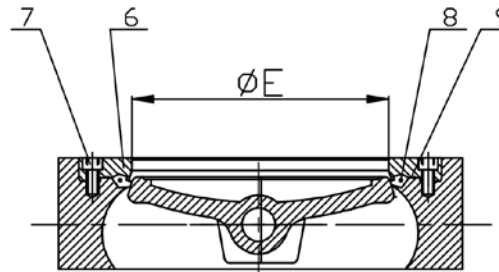


CLASS 300 DOUBLE ECCENTRIC BUTTERFLY VALVE

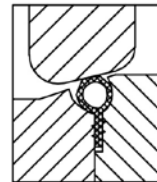


Work temperature: **-20° C-180° C**

DN	L	A	B	C	$\Phi Dk \times n \times M d1$	$\Phi d k \times n \times \Phi d2$	D	G	ΦE	Operating Pressure (N/m ²)	
2"	50	1.75	9.41	6.42	1.26	5x8x17.5	2.76x4x0.354	10.5	0.433	2.45	13
2.5"	65	1.88	9.13	6.42	1.26	5.88x8x20.64	2.76x4x0.354	10.5	0.433	2.91	20
3"	80	1.92	10.39	7.4	1.26	6.625x8x20.64	2.76x4x0.354	10.5	0.433	3.37	25
4"	100	2.13	11.73	8.23	1.26	7.875x8x20.64	2.76x4x0.354	10.5	0.433	4.25	28
5"	125	2.25	13.32	9.07	1.26	9.25x8x20.64	2.76x4x0.354	10.5	0.551	5.3	65
6"	150	2.31	14.53	9.61	1.26	10.625x12x20.64	4.02x4x0.433	13.9	0.669	6.4	95



Detail of the seat ring



19	HANDLE	1	Malleable Iron	
18	Nut	2	S.S.304	ASTM A351
17	Gland	1	CF8M	ASTM A351
16	Gasket	1	CF8M WCB	ASTM A351 ASTM A216
15	Hex-nut	4	S.S.304	
14	Spring washer	4	S.S.304	
13	Gland bushing	1	S.S.316	AISI
12	V-Ring	8	F4	
11	Stem	1	S.S.316 S.S.304	AISI
10	Pin	2	S.S.316	AISI
09	Seat	1	RPTFE	
08	O-Ring	1	VITON	
07	Cap bolt	6	S.S.304	
06	Cap	1	CF8M WCB	ASTM A351 ASTM A216
05	PLATE	1	S.S.304	ASTM A351
04	Stem bushing	3	SS.316+PTFE	
03	Stem bolt	2	S.S.304	
02	Disc	1	CF8M CF8	ASTM A351
01	Body	1	CF8M WCB	ASTM A351 ASTM A216
No.	Name	Qty.	Material	Standard

ITEM	Standard
Design	API609
Flange	ANSI300
Top flange	ISO5211
Inspection	API598

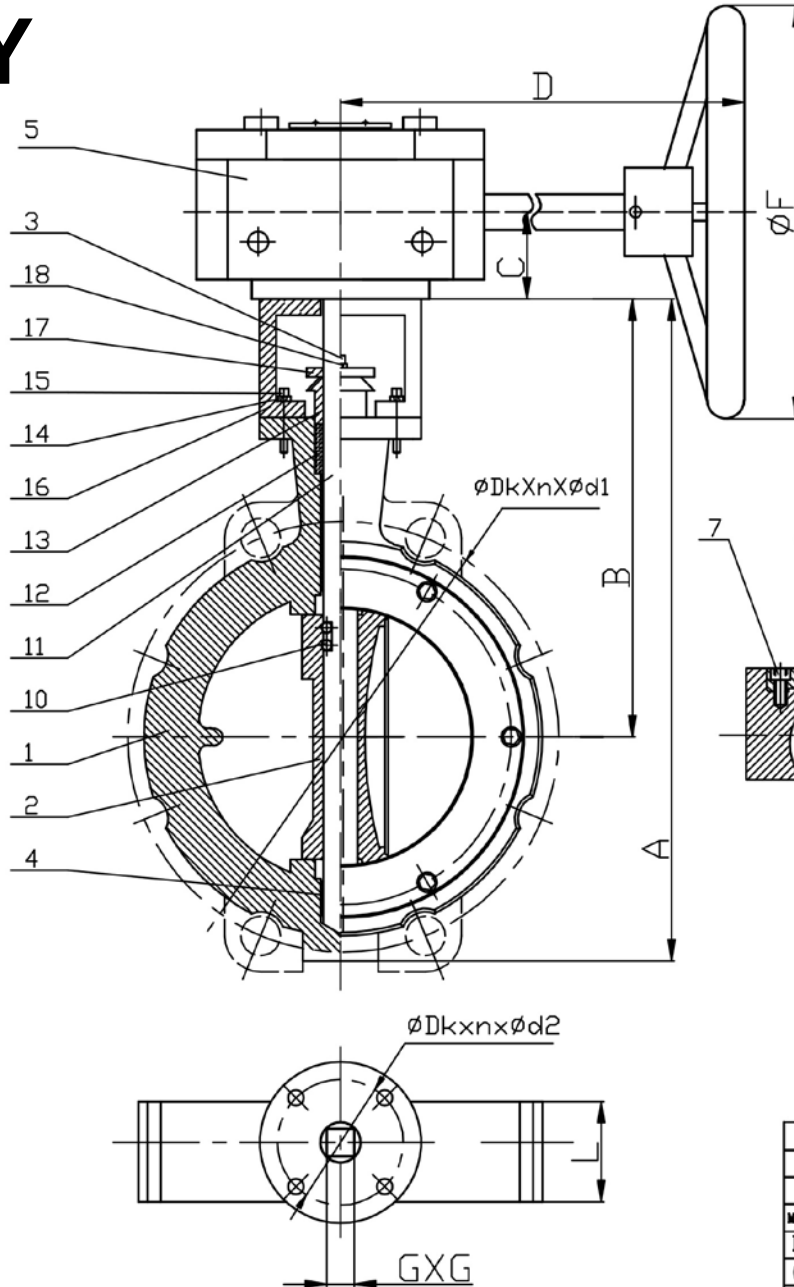
Mark No.	Rev	Signature	Date
Design			
Check			
Approval			

**HPBV WAFER Type
2"-6" ANSI 300**

TW-(2"-6")-1

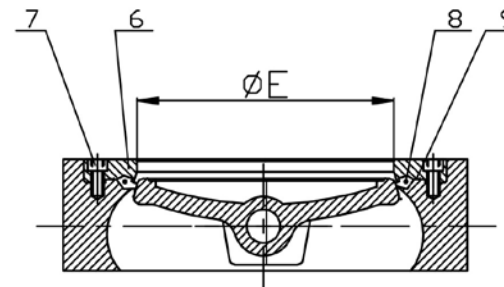
Mark	Weight	Scale
01		
Page		Pages

CLASS 300 DOUBLE ECCENTRIC BUTTERFLY VALVE

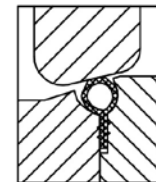


Work temperature: -20° C-180° C

DN	L	A	B	C	ΦDKxnxØd1	ΦdknxΦd2	D	G	ΦE	ΦF	Operating Pressure (W/m)	
8"	200	2.88	17.92	10.76	1.54		4.02x4x0.432	8.9	0.866	8.35	11.8	140
10"	250	3.25	19.74	11.88	1.54	15.25x2x1"	4.02x4x0.433	8.9	1.063	10.16	11.8	185
12"	300	3.62	24.55	14.74	1.54	17.75x2x1+1/8"	5.51x4x0.71	8.9	1.063	11.93	11.8	286
14"	350	4.62	27.76	16.67	2.07	20.25x4x1+1/8"	5.51x4x0.71	11.8	1.417	13.94	11.8	560
16"	400	5.25	31.18	18.88	2.07	22.5x4x1+1/4"	6.5x4x0.866	11.8	1.417	15.59	11.8	780
18"	450	5.88	33.46	20.02	2.93	24.75x4x1+1/4"	6.5x4x0.866	13.8	1.811	17.48	11.8	980
20"	500	6.31	35.84	21.27	2.93	27x4x1+1/4"	6.5x4x0.866	13.8	1.811	19.45	11.8	1200
24"	600	7.19	41.69	24.26	2.93	32x4x1+1/2"	6.5x4x0.866	13.8	1.811	23.3	11.8	1500



Detail of the seat ring



ITEM	Standard
Design	API609
Flange	ANSI300
Top flange	ISO5211
Inspection	API598

No.	Name	Qty.	Material	Standard
18	Nut	2	S.S.304	
17	Gland	1	CF8M	
16	Gasket	1	CF8M WCB	ASTM A351 ASTM A216
15	Hex-dolt	4	S.S.304	
14	Spring washer	4	S.S.304	
13	Gland bushing	1	S.S.316	AISI
12	V-Ring	8	F4	
11	Stem	1	S.S.316 S.S304	AISI
10	Pin	2	S.S.316	AISI
09	Seat	1	RPTFE	
08	O-Ring	1	VITON	
07	Cap bolt	6	S.S.304	
06	Cap	1	CF8M WCB	ASTM A351 ASTM A216
05	Gear	1	GGG40	
04	Stem bushing	3	SS.316+PTFE	
03	Stem bolt	2	S.S304	
02	Disc	1	CF8M CF8	ASTM A351 ASTM A216
01	Body	1	CF8M WCB	ASTM A351 ASTM A216

Mark No.	Rev	Signature	Date
Design			
Check			
Approval			

HPBV WAFER Type
8"-24" ANSI 300

TW-(8"-24")-1

Mark	Weight	Scale
01		
Page		Pages