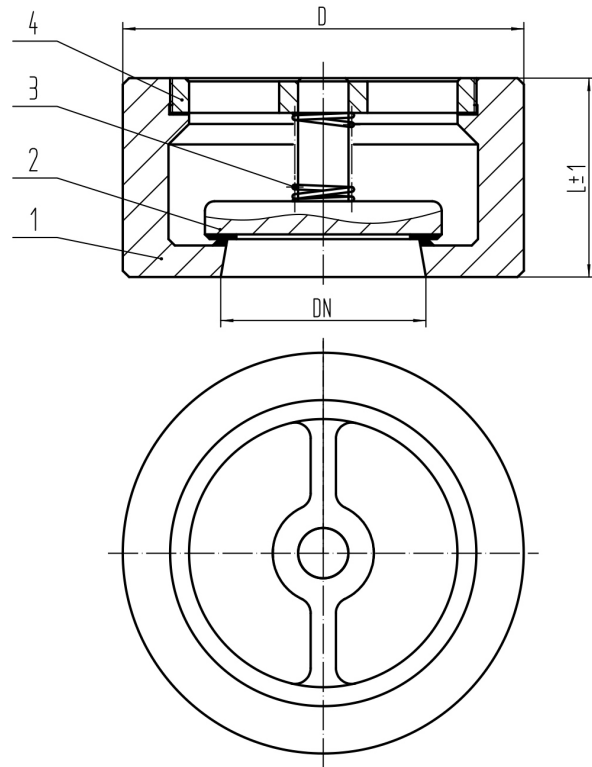


Features:

1. Design standard: ASME B16.34
2. Flange ends: DIN EN1092-1
3. Test & inspection: API598



Main dimensions (mm)

Item code	L	D
H71W-10/16/25/40-15	25	52
H71W-10/16/25/40-20	31.5	62
H71W-10/16/25/40-25	35.5	72
H71W-10/16/25/40-32	40	83
H71W-10/16/25/40-40	45	93
H71W-10/16/25/40-50	56	108
H71W-10/16/25/40-65	63	128
H71W-10/16/25/40-80	71	143
H71W-10/16-100	80	163
H71W-10/16-125	90	193
H71W-10/16-150	106	219
H71W-25/40-100	80	169
H71W-25/40-125	90	195
H71W-25/40-150	106	224



DUPLEX ALLOY WAFER DISC CHECK VALVE

4	Bonnet	/	A182 F51			
3	Spring	/	Inconel X750			
2	Disc	/	A182 F51			
1	Body	/	A182 F51			
NO.	CODE	MAIN PARTS	QTY	MATERIAL	REMARKS	
				DESCRIPTION	DRAWING	
G	W	L	Q	o		
Sales	Drawn	Assess	Authorize	Rev.	Date	
DRW. NO.	H71W	NPS		DN	LIFT CHECK VALVE WAFER TYPE DUPLEX STEEL	
Ref. No.		Customer		EEP		
Notes	DN15~150, PN10~40					