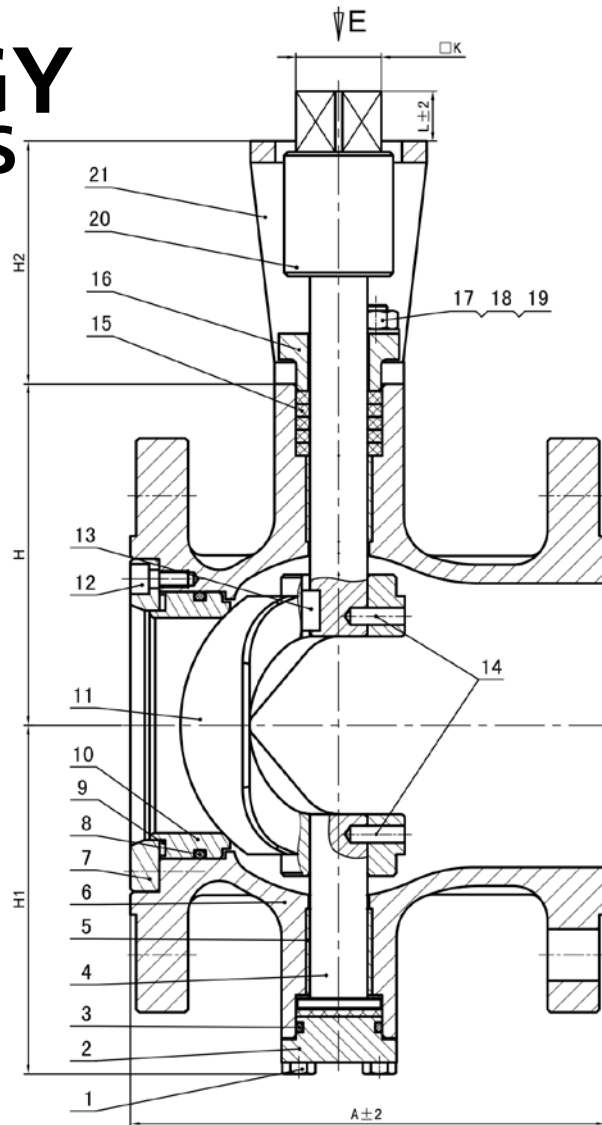
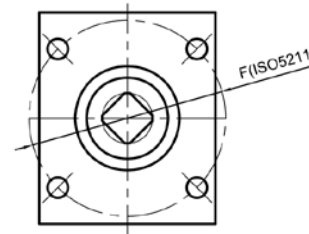




SEGMENTED V-PORT BALL VALVE



E view



Specifications			
Pressure	150LB		
Shell Test	3.0	MPa	
Sealing test	0.35		
Suitable Temp.	-20~230°C		
21	Yoke	WCB	
20	Adaptor	45#+HCr	
19	Stud	304	
18	Nut	304	
17	Gasket	304	
16	Packing Gland	CF8	
15	Packing	PTFE	
14	Pin	316	
13	Key	316	
12	hexagon screw	316	
11	Ball	CF8M+HCr	
10	Seat	316+STL	
9	Spring	17-7PH	
8	O-Ring	Viton	
7	Retainer	CF8M	
6	Body	CF8M	
5	Bearing	Composite	
4	Down Shaft	17-4PH	
3	O-Ring	Viton	
2	Gland	CF8M	
1	Screw	304	
No.	Name	Material	Note

Size	Outline Dimensions							Torque Without safety factor
	A	H1	H	H2	□K	F	L	
25	102	87	78	90	17*17	F07	17	30
32	105	87	85	90	17*17	F07	17	30
40	114	87	85	90	17*17	F07	17	35
50	124	97	93	90	17*17	F07	17	40
65	145	112	112	90	17*17	F07	17	75
80	165	112	119	90	22*22	F10	22	95
100	194	122	131	90	22*22	F10	22	150
125	213	142	150	90	22*22	F10	22	195
150	229	165	178	100	27*27	F12	27	275
200	243	195	205	100	27*27	F12	27	420
250	297	237	240	140	36*36	F14	36	800
300	338	281	269	140	36*36	F14	36	1460

Flange Type Segment Ball Valve	
Pressure and Temperature	ASME/B16.34
Face to Face Dimension	ISA S75.04
Flange Ends Dimensions	ASME/B16.5
Pressure Test	ANSI/FCI 70.2 IV