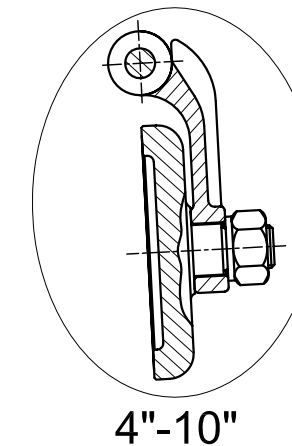
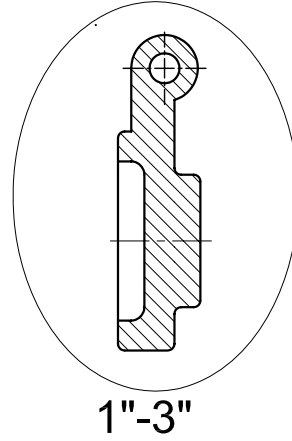
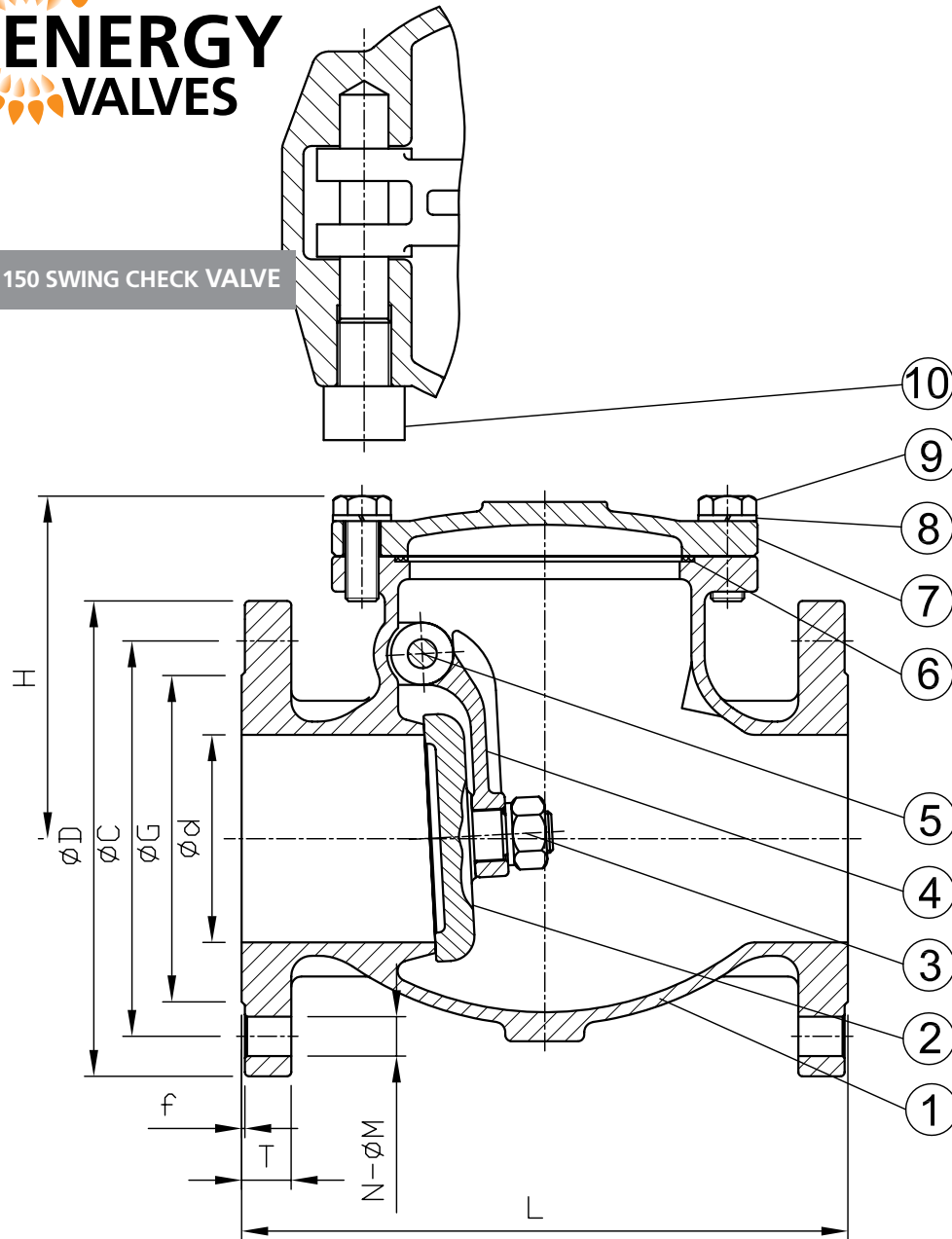




CLASS 150 SWING CHECK VALVE



SIZE	d	L	H	D		C		G		f		T		N-ØM		
				10K	150	10K	150	10K	150	10K	150	10K	150	10K	150	
1"	25	25	127	64	125	108	90	79.5	67	51	1	1.6	14	12.1	4-Ø19	4-Ø16
2"	50	50	203	97	155	152	120	120.5	96	92	2	1.6	16	15.9	4-Ø19	4-Ø19
2 1/2"	65	65	216	111	175	178	140	139.5	116	105	2	1.6	18	17.5	4-Ø19	4-Ø19
3"	80	80	241	120	185	190	150	152.5	126	127	2	1.6	18	19.1	8-Ø19	4-Ø19
4"	100	100	292	162	210	229	175	190.5	151	157	2	1.6	18	23.9	8-Ø19	8-Ø19
5"	125	125	330	179	250	254	210	216.0	182	186	2	1.6	20	23.9	8-Ø23	8-Ø22
6"	150	150	356	203	280	279	240	241.5	212	216	2	1.6	22	25.4	8-Ø23	8-Ø22
8"	200	200	495	236	330	343	290	298.5	262	270	2	1.6	22	28.6	12-Ø23	8-Ø22
10"	250	250	622	302	400	406	355	362.0	324	324	2	1.6	24	30.2	12-Ø25	12-Ø25

FEATURES:

- FACE TO FACE DIMENSION: JIS B2002 / ANSI B16.10
- END FLANGE DIMENSIONS: JIS B2239 / ANSI B16.5
- DESIGN: ANSI B16.34
- TEST: JIS B2203 / API 598
- INVESTMENT CASTING BODY

TEST PRESSURE:

SHELL (BY WATER)		ANSI-150LB	JIS-10K
		450PSI	2.1 MPa
		32kg/cm ²	21.5kg/cm ²
SEAT	BY WATER	315PSI	1.6 MPa
	BY AIR	22kg/cm ²	16.5kg/cm ²
		85PSI	0.6 MPa
		6kg/cm ²	6kg/cm ²

*8"UP GASKET: 304+GRAPHITE

NO.	PART NAME	MATERIAL	
1	BODY	SCS13/CF8	SCS14/CF8M
2	DISC	SCS13/CF8	SCS14/CF8M
3	NUT	SUS304	
4	ARM HINGE	SCS13/CF8	SCS14/CF8M
5	HINGE PIN	SUS304	
6	GASKET	* PTFE / 304+GRAPHITE	
7	BONNET	SCS13/CF8	SCS14/CF8M
8	SPRING WASHERS	SUS304	
9	BONNET BOLT	SUS304	
10	BOLT	SUS304	

www.energyproducts.co.za

ENERGY VALVES IS A DIVISION OF ENERGY ENGINEERED PRODUCTS
 Contact our sales team T: + 27 (0)11 466 1926 E: sales@energyproducts.co.za

Rev.	Date	Description			Type	Rev.	A
Checked	Morris	Scale	Fit	Date	2009/05/28	BT-FCK	
Drawn	Aaron	Describe	SWING CHECK VALVE				