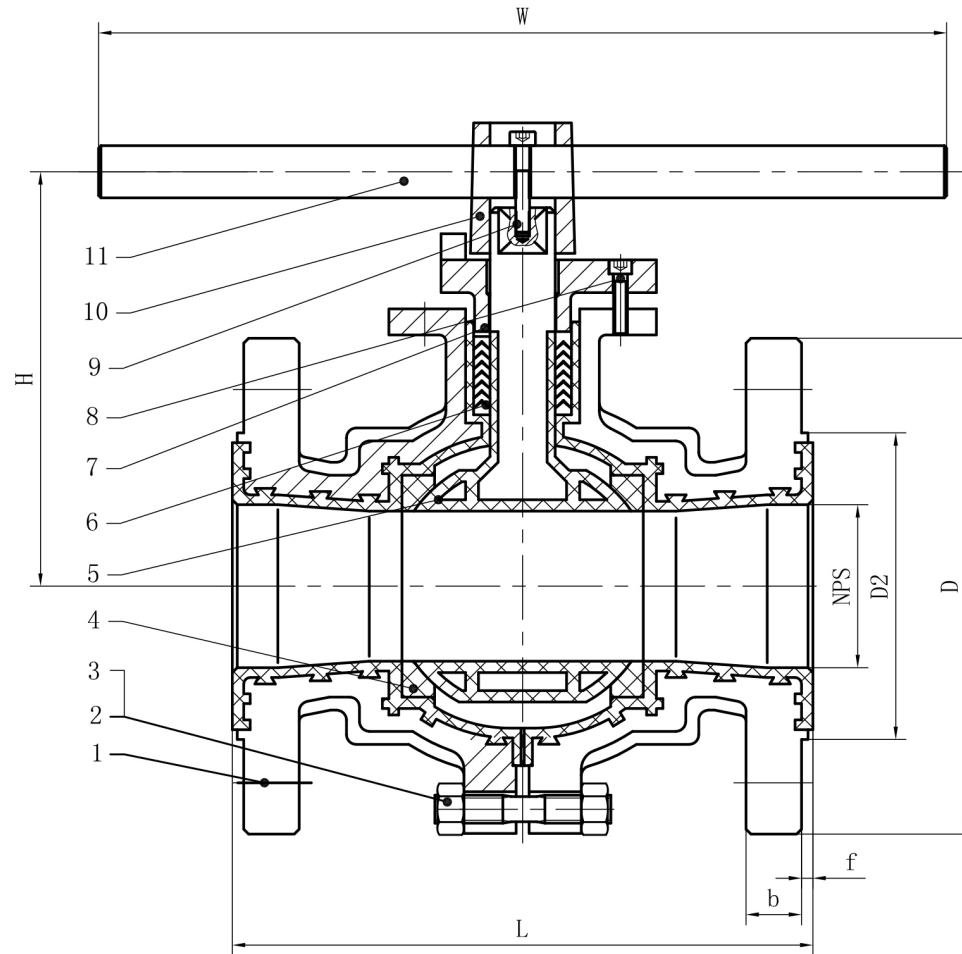




CLASS 150 PFA LINED BALL VALVE  
VALVE CODE: VB2F-150-WCBPFA



Standards	
Design And Manufacture	HG/T 3704
Inspection And Test	API 598
Face To Face Dimension	ASME B16.10
Connection Dimension Flanged Type	ASME B16.5
Test Specification	
Shell Test Pressure	Water 1.5 MPa
Seal Test Pressure	1.0 MPa
Seal Test Pressure	Air 0.6 MPa
Spark test	15KV DC
Suitable Working Temperature	-20~180° C
Applicable Medium:	CORROSION MEDIUM

NPS	L	D	D1	D2	f	b	Z-φd	H	W	Torque
1/2"	110	89	60.5	35	3	10	4-φ 16	100	120	12
3/4"	117	98	70	43	3	11	4-φ 16	105	120	12
1"	127	108	79.5	51	3	13	4-φ 16	110	160	20
1 1/4"	140	117	89	64	3	13	4-φ 16	130	160	25
1 1/2"	165	127	98.5	73	3	16	4-φ 16	135	260	42
2"	178	152	120.5	92	3	17.5	4-φ 19	145	260	50
2 1/2"	190	178	139.5	105	3	18	4-φ 19	155	300	65
3"	203	190	152.5	127	3	19	4-φ 19	210	340	100
4"	229	229	190.5	157	3	21	8-φ 19	235	370	130
5"	254	254	216	186	3	22	8-φ 22	255	550	210
6"	267	279	241.5	216	3	24	8-φ 22	285	550	300

11	Lever	SS304
5	Ball	A351 CF8+PFA
4	Seat	PTFE
3	Nut	SS304
2	Stud	SS304
1	Body	A216 WCB+PFA
NO.	NAME	MATERIAL
10	Handle seat	A216 WCB
9	Bolt	SS304
8	Bolt	SS304
7	Gland	A216 WCB
6	Packing	PTFE
NO.	NAME	MATERIAL
CUSTOMER:		Date:
P. ORDER:		14.07.25
OUR REF:		Design:QXQ
SPEC/TAG:		
REVISIONS		Confirm:ZXY
ITEM:		Model:
YFM Valve Co., Ltd		Q41PFA
		Description:
		ASME B16.5 150LB
		FULL BORE
		BALL VALVE
		Q41PFA