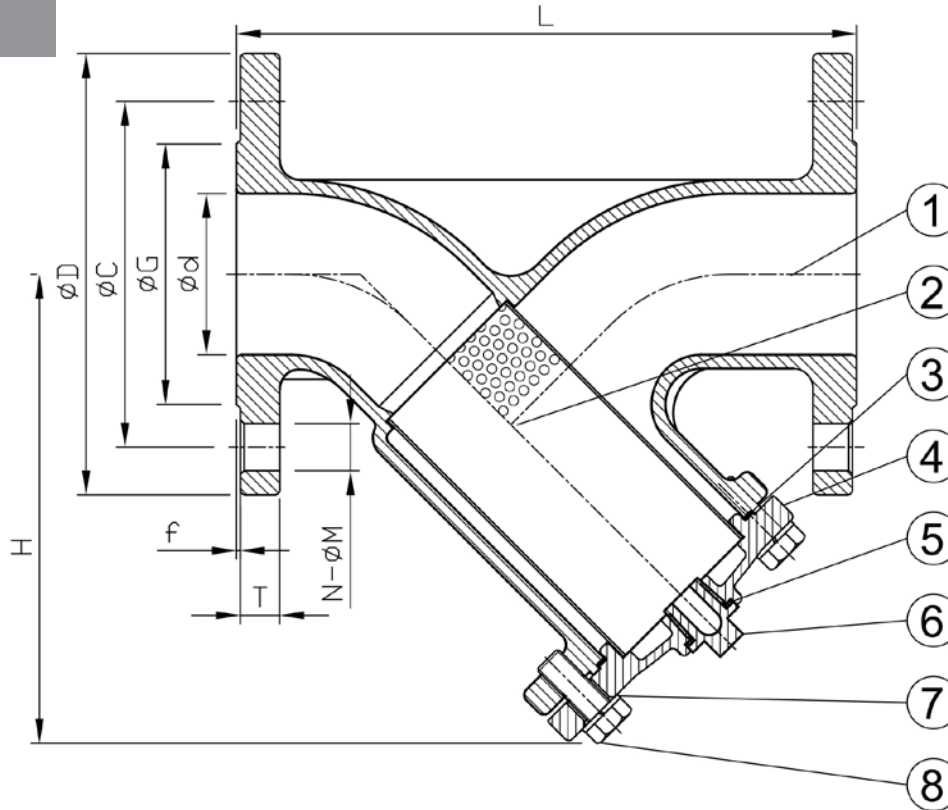


CLASS 150 Y-STRAINER



| SIZE | d | L | H | D | | C | | G | | f | | T | | N- ϕ M | | |
|--------|-----|-----|-----|-----|-----|-----|-----|-------|-----|-----|-----|-----|-----|-------------|---------------|---------------|
| | | | | 10K | 150 | 10K | 150 | 10K | 150 | 10K | 150 | 10K | 150 | | | |
| 1/2" | 15 | 15 | 120 | 85 | 95 | 89 | 70 | 60.5 | 51 | 35 | 1 | 1.6 | 12 | 12.1 | 4- ϕ 15 | 4- ϕ 16 |
| 3/4" | 20 | 20 | 140 | 87 | 100 | 98 | 75 | 70.0 | 56 | 43 | 1 | 1.6 | 14 | 12.1 | 4- ϕ 15 | 4- ϕ 16 |
| 1" | 25 | 25 | 150 | 114 | 125 | 108 | 90 | 79.5 | 67 | 51 | 1 | 1.6 | 14 | 12.1 | 4- ϕ 19 | 4- ϕ 16 |
| 1 1/2" | 40 | 40 | 190 | 135 | 140 | 127 | 105 | 98.5 | 81 | 73 | 2 | 1.6 | 16 | 14.3 | 4- ϕ 19 | 4- ϕ 16 |
| 2" | 50 | 50 | 210 | 155 | 155 | 152 | 120 | 120.5 | 96 | 92 | 2 | 1.6 | 16 | 15.9 | 4- ϕ 19 | 4- ϕ 19 |
| 2 1/2" | 65 | 65 | 250 | 189 | 175 | 178 | 140 | 139.5 | 116 | 105 | 2 | 1.6 | 18 | 17.5 | 4- ϕ 19 | 4- ϕ 19 |
| 3" | 80 | 80 | 280 | 200 | 185 | 190 | 150 | 152.5 | 126 | 127 | 2 | 1.6 | 18 | 19.1 | 8- ϕ 19 | 4- ϕ 19 |
| 4" | 100 | 100 | 340 | 232 | 210 | 229 | 175 | 190.5 | 151 | 157 | 2 | 1.6 | 18 | 23.9 | 8- ϕ 19 | 8- ϕ 19 |
| 5" | 125 | 125 | 380 | 274 | 250 | 254 | 210 | 216.0 | 182 | 186 | 2 | 1.6 | 20 | 23.9 | 8- ϕ 23 | 8- ϕ 22 |
| 6" | 150 | 150 | 420 | 326 | 280 | 279 | 240 | 241.5 | 212 | 216 | 2 | 1.6 | 22 | 25.4 | 8- ϕ 23 | 8- ϕ 22 |
| 8" | 200 | 200 | 500 | 397 | 330 | 343 | 290 | 298.5 | 262 | 270 | 2 | 1.6 | 22 | 28.6 | 12- ϕ 23 | 8- ϕ 22 |
| 10" | 250 | 250 | 730 | 512 | 400 | 406 | 355 | 362.0 | 324 | 324 | 2 | 1.6 | 24 | 30.2 | 12- ϕ 25 | 12- ϕ 25 |
| 12" | 300 | 300 | 850 | 562 | 445 | 483 | 400 | 432.0 | 368 | 381 | 3 | 1.6 | 24 | 31.8 | 16- ϕ 25 | 12- ϕ 25 |

FEATURES:

- END FLANGE DIMENSIONS: JIS B2239 / ANSI B16.5
- DESIGN: ANSI B16.34
- TEST: JIS B2203 / API 598
- INVESTMENT CASTING BODY

TEST PRESSURE:

| SHELL | | ANSI-150 | JIS-10K |
|--------|--|------------------------------|--------------------------------|
| | | BY WATER | 450PSI 32kg/cm ² |
| BY AIR | | 85PSI 6kg/cm ² | 0.6 MPa 6kg/cm ² |

SCREEN SPECIFICATION

| SIZE | PERFORATION |
|-------------|-------------|
| 1/2"-1 1/4" | 1.5MM |
| 1 1/2"-12" | 2MM |

| NO. | PART NAME | MATERIAL | | |
|-----|----------------|----------|--------|------|
| | | WCB | CF8 | CF8M |
| 1 | BODY | | | CF8M |
| 2 | SCREEN | | SUS304 | |
| 3 | GASKET | | PTFE | |
| 4 | BONNET | WCB | CF8 | CF8M |
| 5 | GASKET | | PTFE | |
| 6 | STOPPER | | CF8M | |
| 7 | SPRING WASHERS | | SUS304 | |
| 8 | BONNET BOLT | | SUS304 | |

| | | | | | |
|----------|--------|----------|------------|---------|---------------------------|
| Rev. | A | | | | |
| Checked | Morris | Date | 2009/5/28 | Type | BT-FYS |
| Designer | Kevin | Scale | Fit | Dwg_No. | BT_621~626(10K/150LB)_005 |
| Drawn | Aaron | Describe | Y-STRAINER | | |