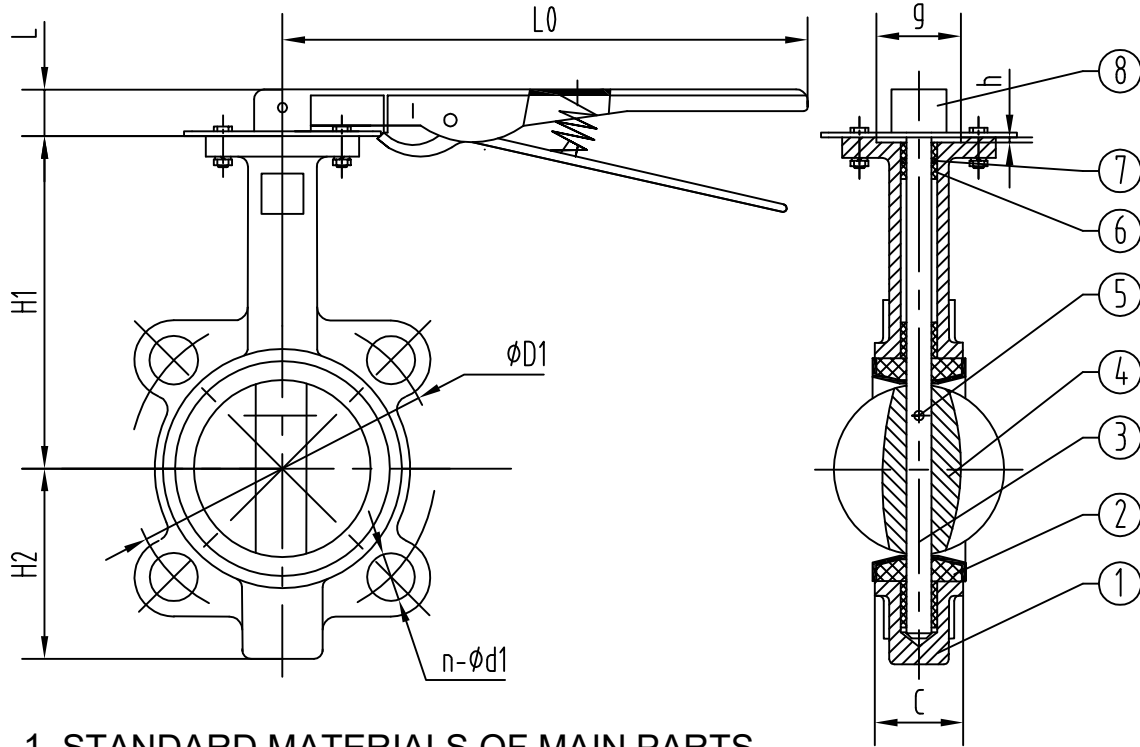


Nominal Pressure		2.5	Mpa
Testing Pressure	Shell	3.75	
	Sealing	2.75	

Wafer Type Butterfly Valve(Pinned)
Data sheet Ref: VBFW-DI-SSD-P25



1. STANDARD MATERIALS OF MAIN PARTS

ITEM	PART NAME	MATERIAL
1	Body	DI
2	Seat	EPDM
3	Shaft	SS420
4	Disc	CF8
5	Pin	SS304
6	Bushing	POLYMERS
7	O Ring	NBR
8	Handle	



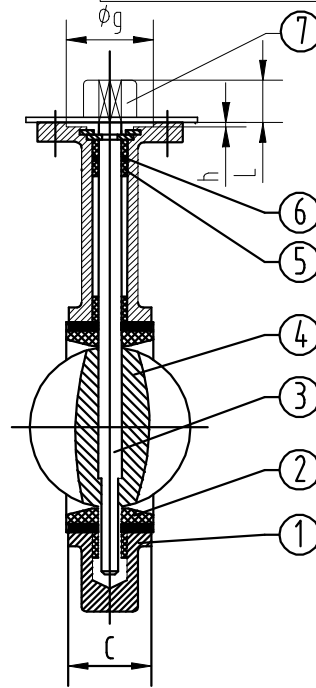
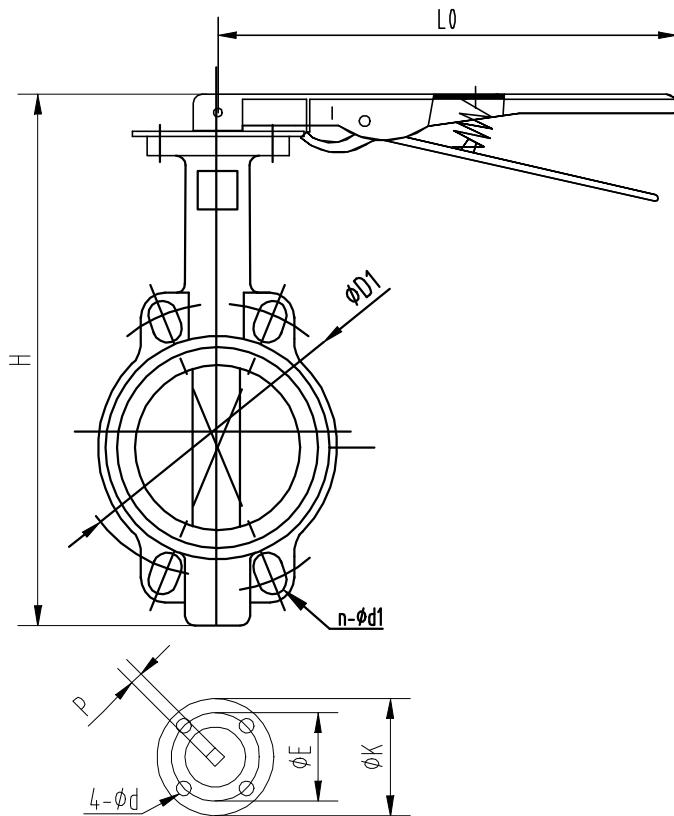
2. DIMENSIONS: (mm)

SIZE		H1	H2	C	L	P	UPPER FLANGE					PN16		PN10		PN25	
in	DN						K	E	z-d	g	h	D1	n-d1	D1	n-d1	D1	n-d1
2	50	124	80	42	32	11	90	70	4-10	55	3	125	4-18	125	4-18	125	4-19
2.5	65	138	89	44.7	32	11	90	70	4-10	55	3	145	4-18	145	4-18	145	4(8)-19
3	80	141	95	45.2	32	9	90	70	4-10	55	3	160	4(8)-18	160	8-18	160	4(8)-19
4	100	156	114	52.1	32	11	90	70	4-10	55	3	180	4(8)-18	180	4(8)-18	190	4(8)-23
5	125	175	127	54.4	32	14	90	70	4-10	55	3	210	4(8)-18	210	4(8)-18	220	4(8)-27
6	150	184	140	55.8	32	14	90	70	4-10	55	3	240	4(8)-23	240	4(8)-23	250	4(8)-27
8	200	215	175	60.6	45	17	125	102	4-12	70	3	295	4(12)-23	295	4(8)-23	310	4(12)-27
10	250	247	203	65.6	45	22	125	102	4-12	70	3	355	4(12)-27	350	4(12)-23	370	4(12)-30
12	300	290	242	76.9	45	22	125	102	4-12	70	3	410	4(12)-27	400	4(12)-23	430	4(16)-30



PN16 WAFER TYPE PINLESS BUTTERFLY VALVE
DATA SHEET REF : VBFW-CI-SSD-P16

NOMINAL PRESSURE	1.6	MPa
SHELL TEST PRESSURE	2.4	
SEAL TEST PRESSURE	1.76	



STANDARD MATERIALS OF MAIN PARTS

ITEM	PART NAME	MATERIAL
1	Body	DI
2	Seat	EPDM
3	Shaft	Stainless Steel 416
4	Disc	CF8M
5	Bushing	PTFE
6	O Ring	NBR
7	Handle	

DIMENSIONS

SIZE		H	C	L0	P	L	UPPER FLANGE					DIN PN10/16		ANSI 150		TORQUE N.M
in	DN						K	E	4-d	g	h	D1	n-d1	D1	n-d1	
2	50	245	42	220	9	30	90	70	4-9	55	3	125	4-18	120.7	4-19	24.2
2-1/2	65	270	44.7	220	9	30	90	70	4-9	55	3	145	4-18	140	4-19	32.7
3	80	280	45.2	220	9	30	90	70	4-9	55	3	160	4/8-18	152.5	4-19	43.7
4	100	320	52.1	260	11	30	90	70	4-9	55	3	180	4(8)-18	190.5	4(8)-19	72.8
5	125	350	54.4	260	14	30	90	70	4-9	55	3	210	4(8)-18	216	4(8)-22	108
6	150	375	55.8	260	14	30	90	70	4-9	55	3	240	4(8)-23	241.5	4(8)-22	174

NOTE: 2" TO 10" LEVER OPERATED, 12" AND 24" GEAR OPERATED
 ADDITIONAL GEAR BOXES AVAILABLE FOR ALL SIZES

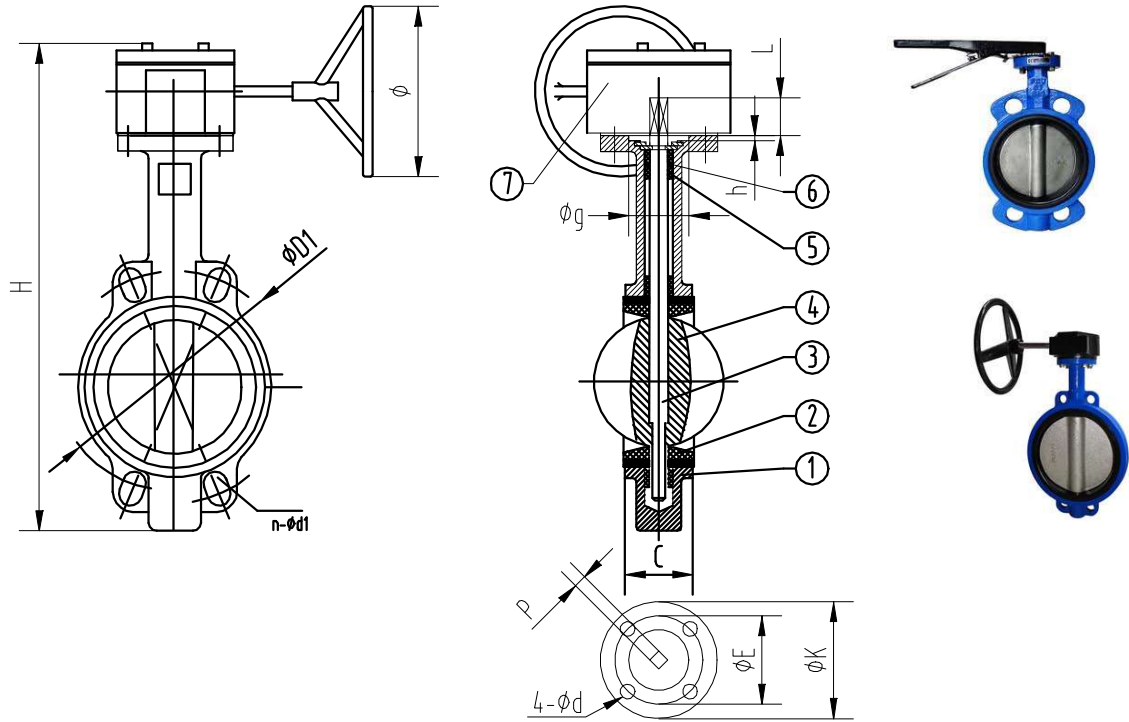
Energy Valves is a division of Energy Engineered Products (Pty) Ltd.
 30 Monte Carlo Crescent Kyalami Park, Midrand, South Africa

Tel: +27 11 466 1926 Fax: +27 11 466 1692 Email: sales@energyproducts.co.za Web: www.energyproducts.co.za



PN16 WAFER TYPE PINLESS BUTTERFLY VALVE
DATA SHEET REF : VBFW-CI-SSD-P16

NOMINAL PRESSURE	1.6	MPa
SHELL TEST PRESSURE	2.4	
SEAL TEST PRESSURE	1.76	



STANDARD MATERIALS OF MAIN PARTS

ITEM	PART NAME	MATERIAL
1	Body	DI
2	Seat	EPDM
3	Shaft	Stainless Steel 416
4	Disc	CF8M
5	Bushing	PTFE
6	O Ring	NBR
7	GEAR	

OPTIONAL EXTRA : NBR , VITON OR PTFE SEAT

DIMENSIONS

SIZE		H	φ	C	P	L	UPPER FLANGE					DIN PN10/16		ANSI 150		TORQUE N.M
in	DN						K	E	4-d	g	h	D1	n-d1	D1	n-d1	
8	200	505	280	60.6	17	40	125	102	4-12	70	3.5	295	4(8/12)-23	298.5	4(8)-22	330
10	250	560	280	65.6	22	40	125	102	4-12	70	3.5	350/355	4(12)-23/27	362	4(12)-25	549
12	300	640	280	76.9	22	40	125	102	4-12	70	3.5	400/410	4(12)-23/27	432	4(12)-25	799
14	350	720	280	76.5	22	45	125	102	4-12	70	3.5	460/470	4(16)-23/27	476	4(12)-29	969

NOTE: 2" TO 10" LEVER OPERATED , 12" AND 24 " GEAR OPERATED
ADDITIONAL GEAR BOXES AVAILABLE FOR ALL SIZES

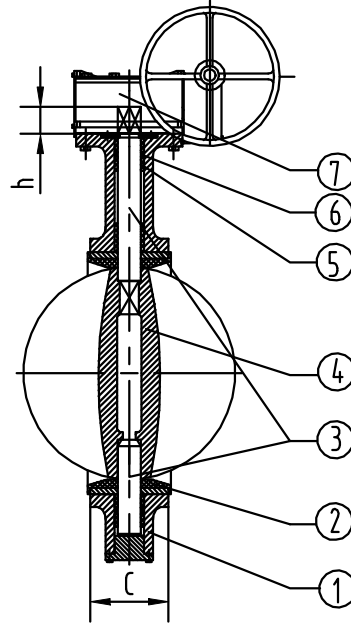
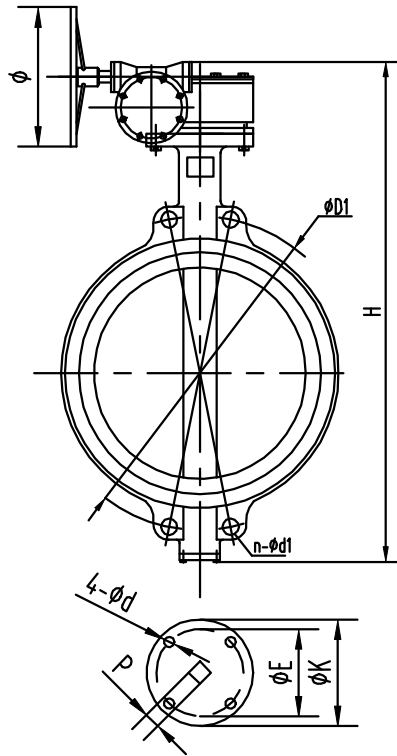
Energy Valves is a division of Energy Engineered Products (Pty) Ltd.
 30 Monte Carlo Crescent Kyalami Park, Midrand, South Africa

Tel: +27 11 466 1926 Fax: +27 11 466 1692 Email: sales@energyproducts.co.za Web: www.energyproducts.co.za



PN16 WAFER TYPE PINLESS BUTTERFLY VALVE
DATA SHEET REF : VBFW-CI-SSD-P16

NOMINAL PRESSURE	1.6	MPa
SHELL TEST PRESSURE	1.5	
SEAL TEST PRESSURE	1.1	



STANDARD MATERIALS OF MAIN PARTS

ITEM	PART NAME	MATERIAL
1	Body	DI
2	Seat	EPDM
3	Shaft	SS416
4	Disc	CF8M
5	Bushing	POLYMERS
6	O Ring	NBR
7	Gear Operator	

OPTIONAL EXTRA : NBR , VITON OR PTFE SEAT

DIMENSIONS

SIZE		C	H	phi	P	h	UPPER FLANGE			DIN PN10		DIN PN16		ANSI 150		TORQUE N.M
in	DN						K	E	4-d	D1	n-phi d1	D1	n-phi d1	D1	n-phi d1	
16"	400	86.5	860	300	24	52	175	140	4-18	515	4(16)-27	525	4(16)-30	539.5	4(16)-29	1309
18"	450	105.6	900	300	27	52	175	140	4-18	565	4(20)-27	585	4(20)-30	578	4(16)-32	1787
20"	500	131.8	1020	300	32	64	175	140	4-18	620	4(20)-27	650	4(20)-33	635	4(20)-32	2288
24"	600	152	1210	380	36	70	210	165	4-23	725	4(20)-30	770	4(20)-36	749.5	4(20)-35	3711

NOTE: 2" TO 10" LEVER OPERATED , 12" AND 24" GEAR OPERATED
 ADDITIONAL GEAR BOXES AVAILABLE FOR ALL SIZES

Energy Valves is a division of Energy Engineered Products (Pty) Ltd.
 30 Monte Carlo Crescent Kyalami Park, Midrand, South Africa

Tel: +27 11 466 1926 Fax: +27 11 466 1692 Email: sales@energyproducts.co.za Web: www.energyproducts.co.za