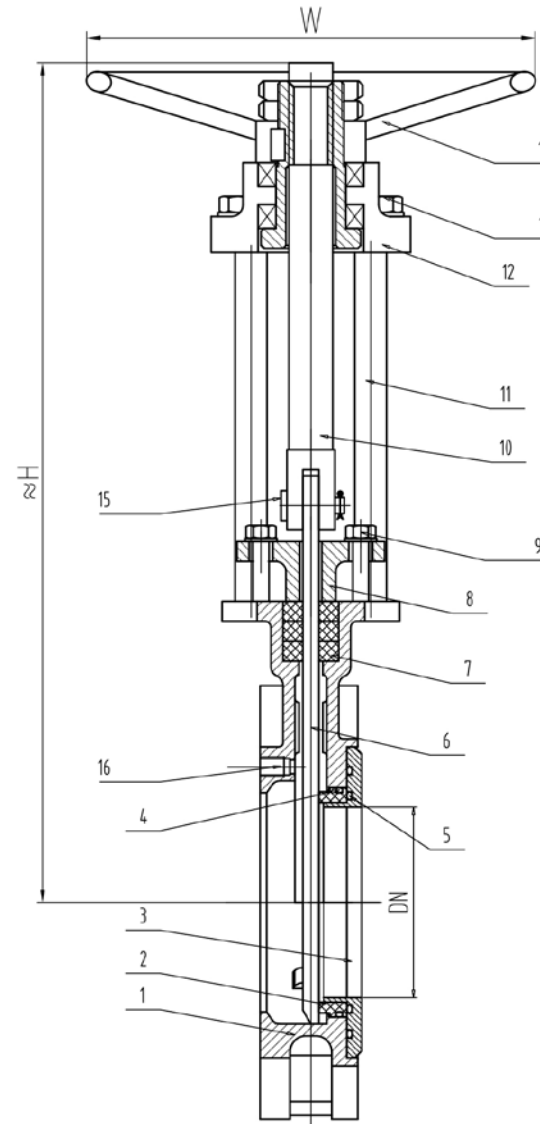
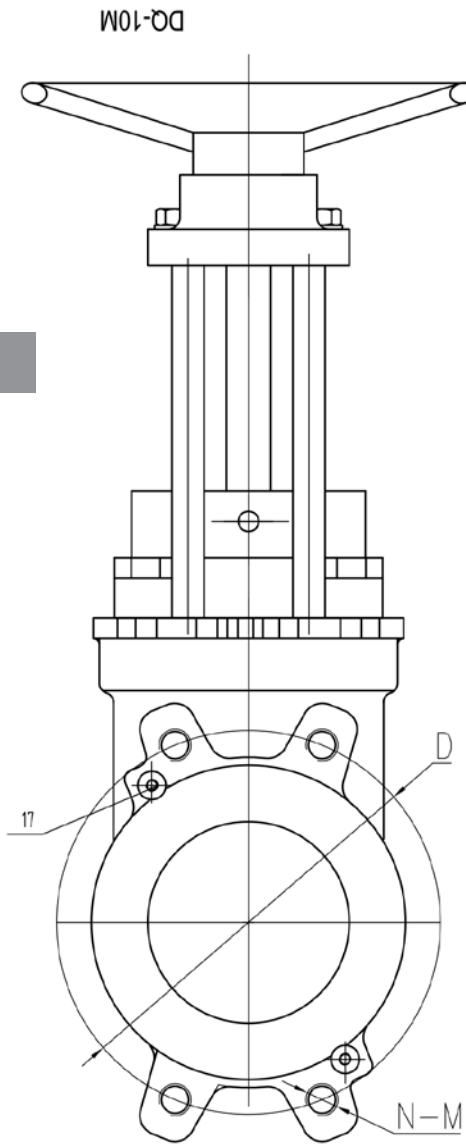




STAINLESS STEEL KNIFE GATE VALVE, PN10



Performance	
Normal Pressure	PN10
Shell Test Pressure	1.5MPa
Seal Test Pressure	0.28MPa
Leakage	4ml min/in
Suitable Temperature °C	-20~100

Design specification

- 1.Design & manufacturer as per ASME B16.34
- 2.Face-to-face dimension as per MSS SP 81-2001
- 3.End connection dimensions as per EN 1092-1
- 4.Pressure & temperature as per ASME B16.34

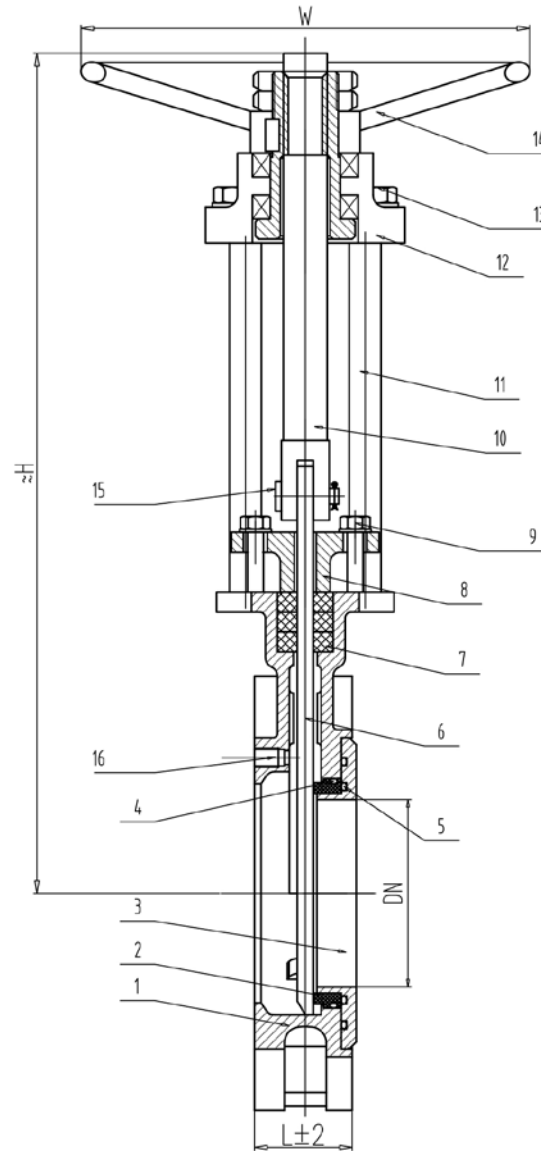
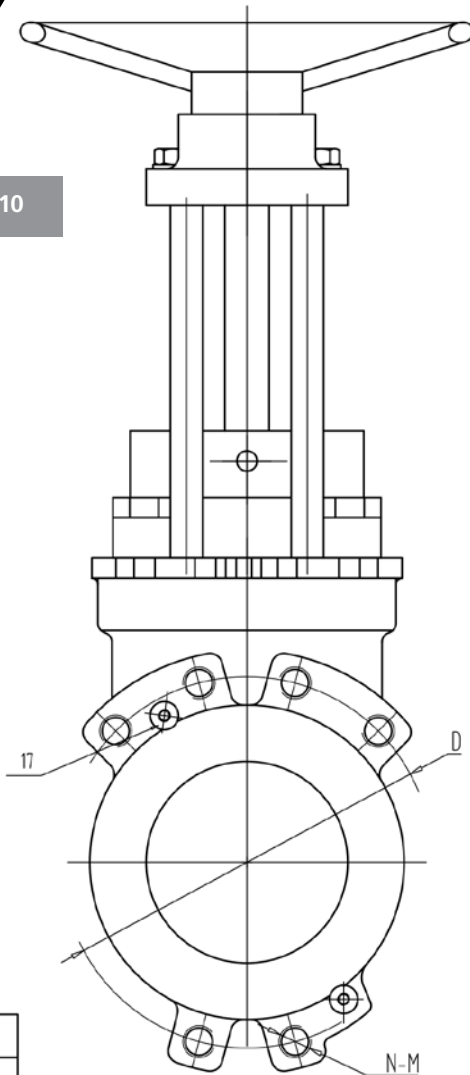
No	Name	Material	Note
17	Socket Head Cap Screw	SS304	
16	Moveable	PTFE	
15	Nut	Copper Alloy	
14	Handwheel	Nodular Cast iron	
13	Nut	SS304	
12	Square Plate	Aluminium Alloy	
11	Pillar	SS304	
10	Shaft	SS304	
9	Bolt	SS304	
8	Gland	CF8	
7	Gland Packing	PTFE	
6	Gate	SS316+Cr	
5	O-ring	NBR	
4	O-ring	NBR	
3	Clamp Ring	SS316	
2	Seat	PTFE	
1	Body	CF8M	

General Assembly Drawing				Knife Gate Valve	
Mark	Place	File No	Signature	Date	
Designed	Standardized				
Proofread	Approved				
Checked					
Technology					
Total sheet			No. sheet		

Registration								
Tracing								
Proofreading								
No. of old drawing	DN	50	65	80	100	125	150	200
	L	48	48	51	51	57	57	70
	H	300	310	373	420	460	510	610
Signature	W	180	200	220	220	220	280	280
	D	125	145	160	180	210	240	295
	N M	4-M16	4-M16	4-M16	4-M16	4-M16	4-M20	4-M20



STAINLESS STEEL KNIFE GATE VALVE, PN10



Performance	
Normal Pressure	PN10
Shell Test Pressure	1.5MPa
Seal Test Pressure	0.28MPa
Leakage	4ml min/in
Suitable Temperature	°C -20~100

Design specification

- 1.Design & manufacturer as per ASME B16.34
- 2.Face-to-face dimension as per MSS SP 81-2001
- 3.End connection dimensions as per EN 1092-1
- 4.Pressure & temperature as per ASME B16.34

Registration			
Tracing			
Proofreading			
No. of old drawing	DN	250	300
	L	70	76
Drawing No.	H	765	820
	W	280	380
Signature	D	350	400
	N-M	6-M20	6-M20

No	Name	Material	Note
17	Socket Head Cap Screw	SS304	
16	Moveable	PTFE	
15	Nut	Copper Alloy	
14	Handwheel	Nodular Cast iron	
13	Nut	SS304	
12	Square Plate	Aluminium Alloy	
11	Pillar	SS304	
10	Shaft	SS304	
9	Belt	SS304	
8	Gland	CF8M	
7	Gland Packing	PTFE	
6	Gate	SS316-Cr	
5	O-ring	NBR	
4	O-ring	NBR	
3	Clamp Ring	SS316	
2	Seat	PTFE	
1	Body	CF8M	

Mark				General Assembly Drawing				Knife Gate Valve			
Designed	Standardized	Signature	date	Drawing	Weight	Scale		DQ-10M			
Proofread	Approved										
Checked											
Technology				Total sheet	No. sheet						